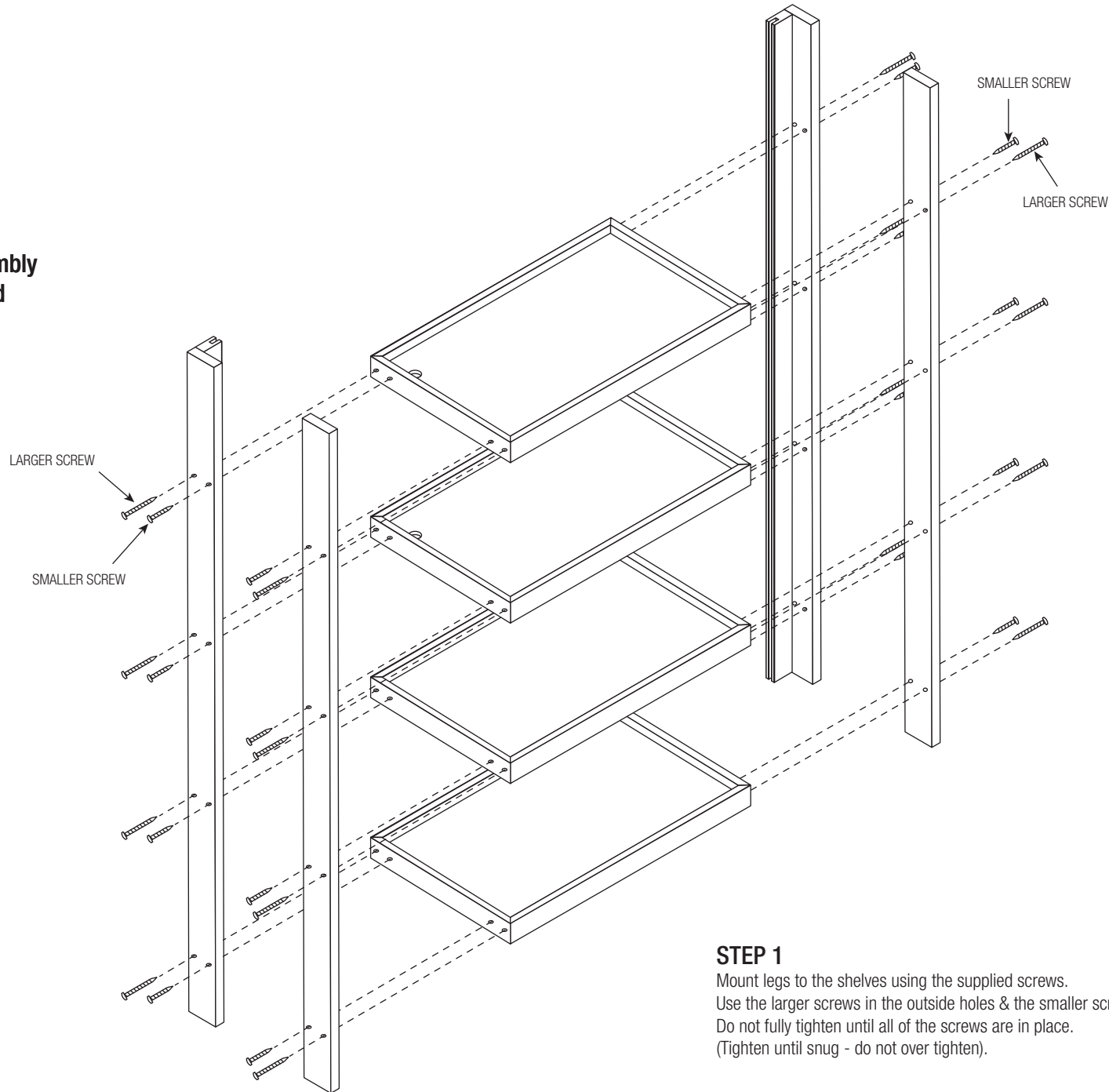


# 4 Shelf Floor Display Lifeguard Chair #BPFDLG

# ASSEMBLY INSTRUCTIONS



Two Person Assembly  
Recommended

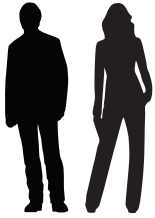


## STEP 1

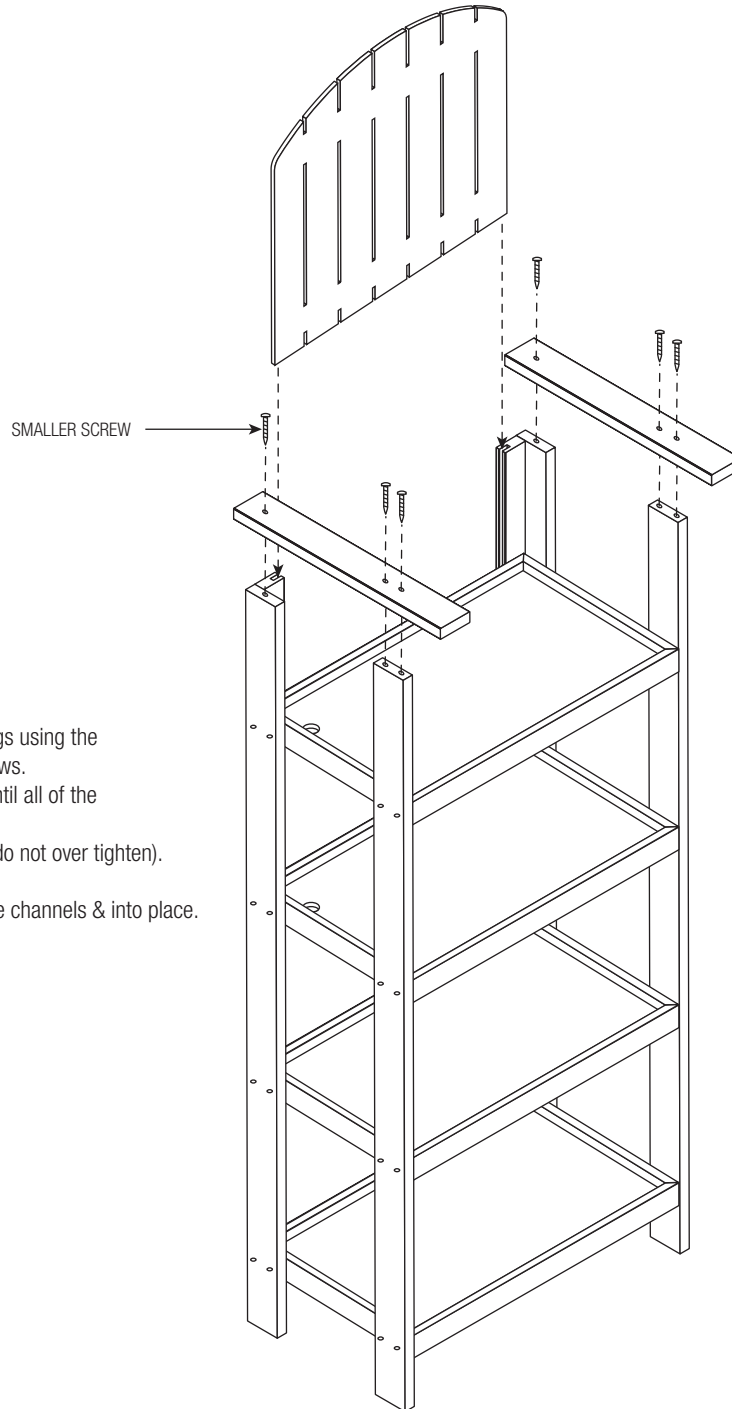
Mount legs to the shelves using the supplied screws. Use the larger screws in the outside holes & the smaller screws in the inside holes. Do not fully tighten until all of the screws are in place. (Tighten until snug - do not over tighten).

# 4 Shelf Floor Display Lifeguard Chair #BPFDLG

# ASSEMBLY INSTRUCTIONS



Two Person Assembly  
Recommended



## STEP 2

Mount arms to the legs using the supplied smaller screws. Do not fully tighten until all of the screws are in place. (Tighten until snug - do not over tighten).

Slide backer down the channels & into place.

## STEP 3

Mount life preserver to the right side of the chair using the included zip-ties. Loop the zip tie through the rope on the life preserver and the pre-drilled holes in the legs. Pull the zip-tie snug and snip the excess off.

