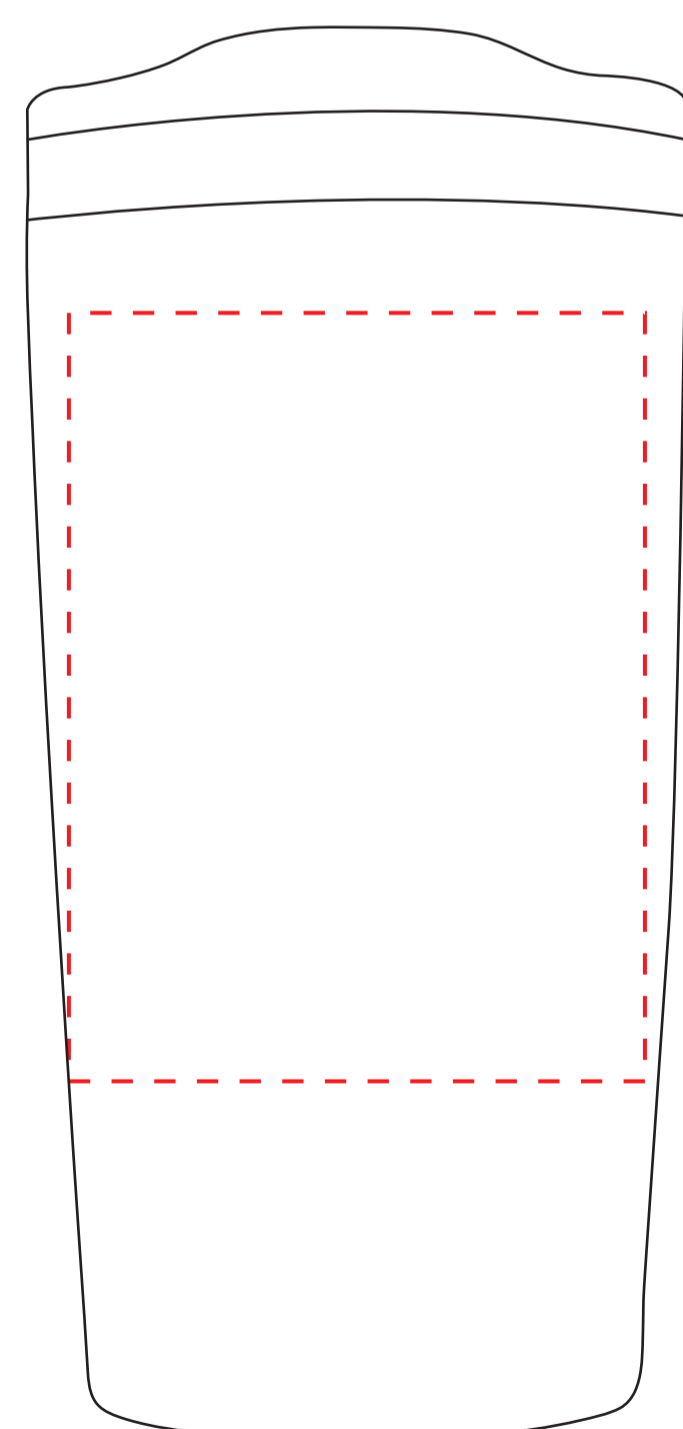


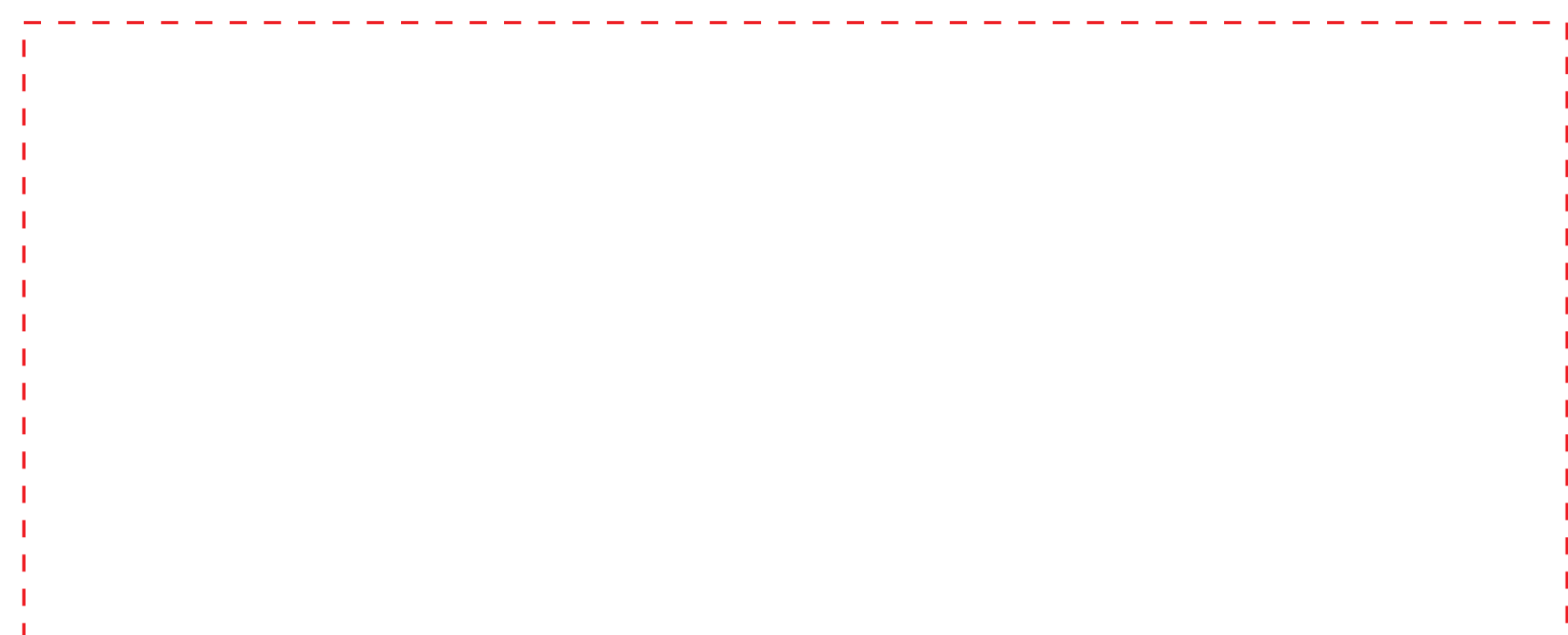
S785EDT



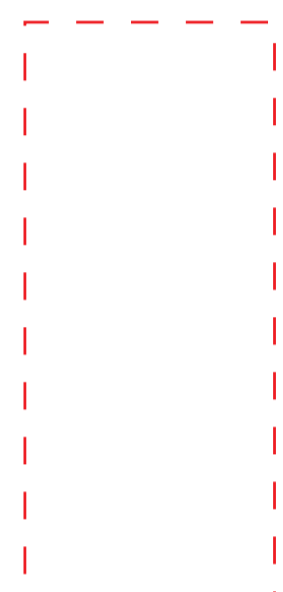
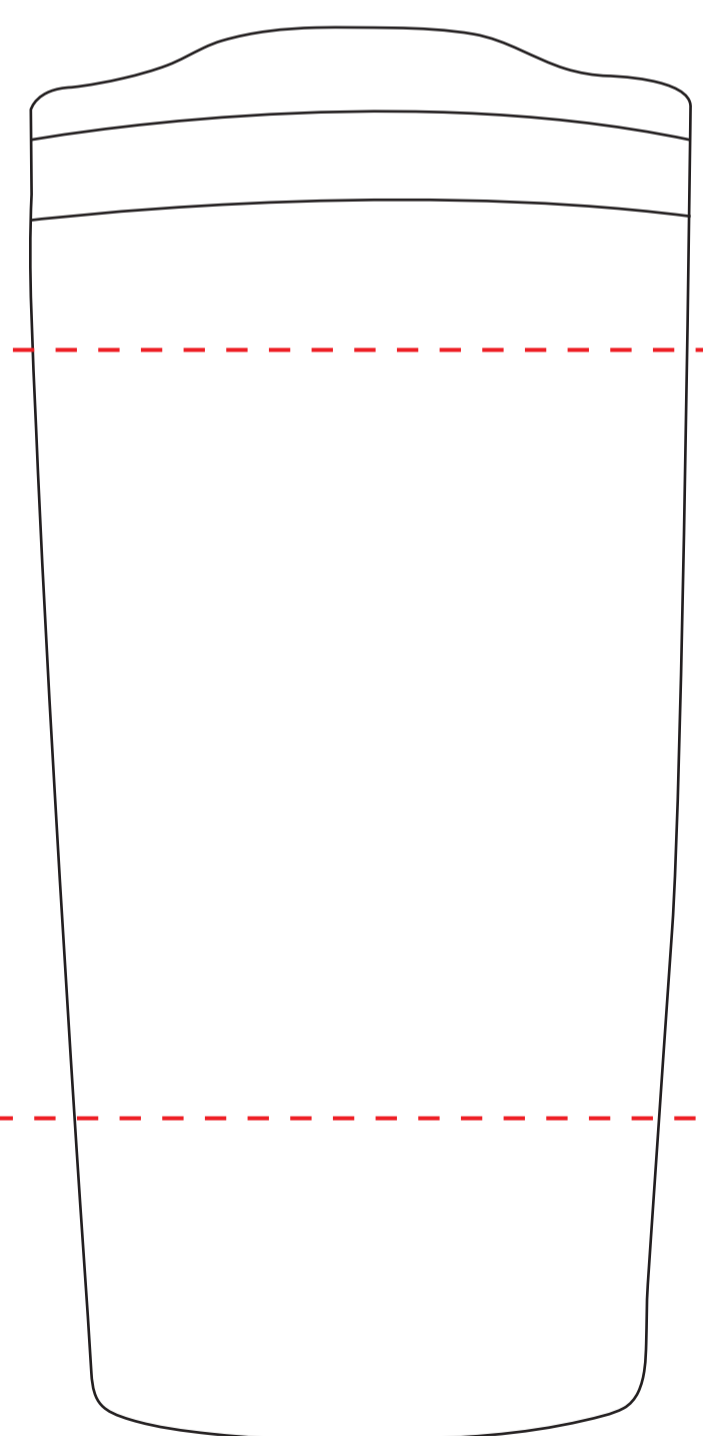
Screen
Imprint area: 3" w x 4" h



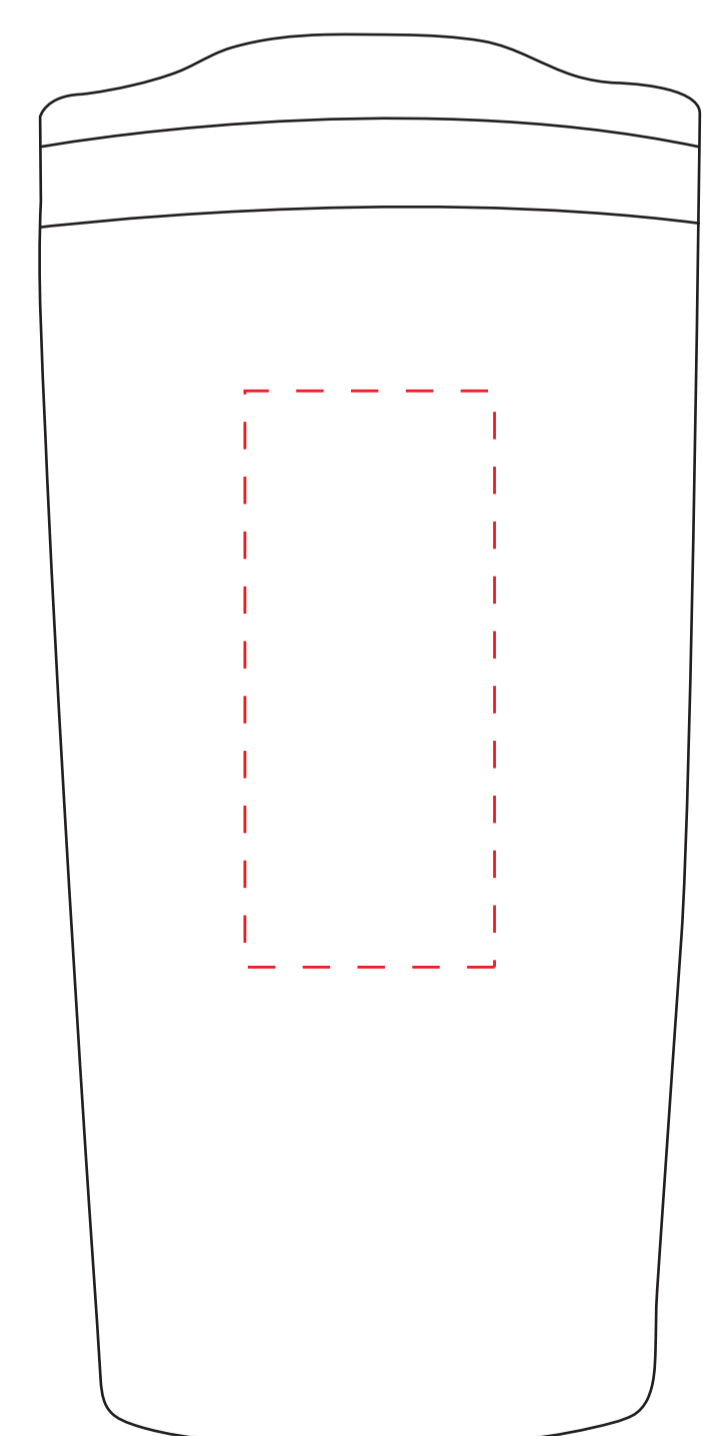
Screen



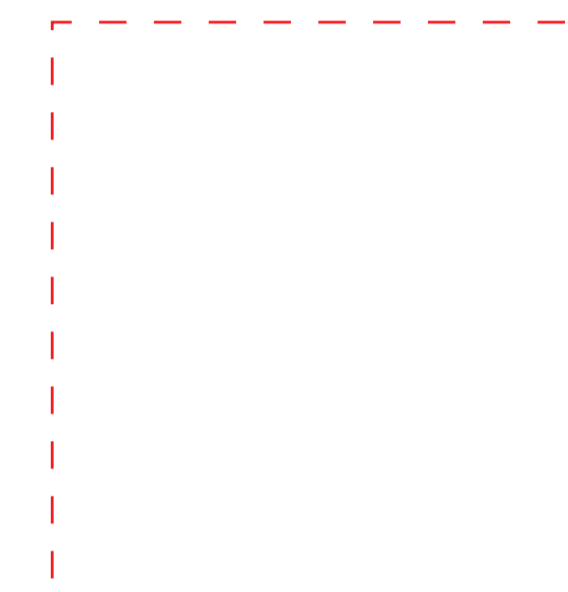
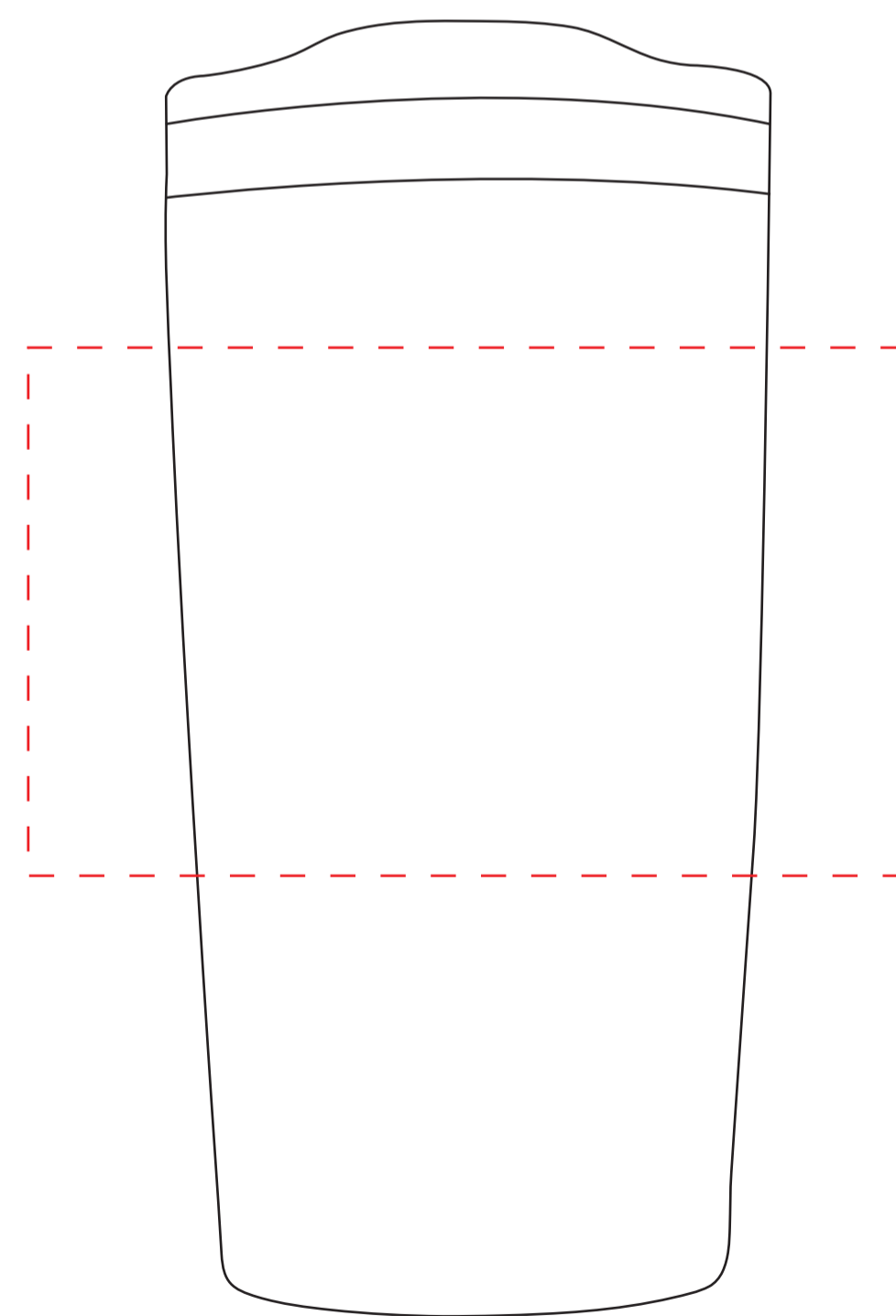
Screen Wrap
Imprint area: 10" w x 4" h



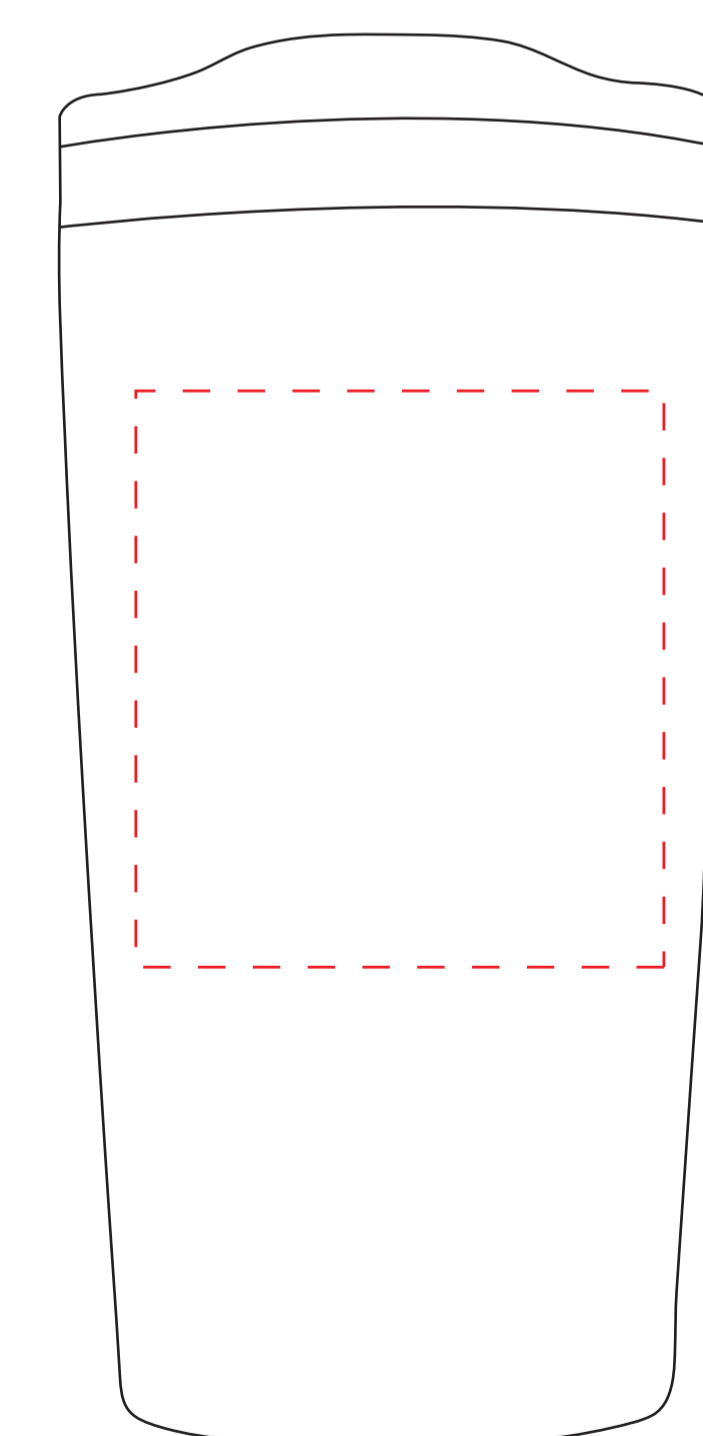
Laser & Full color (S size)
Imprint area: 1.3" w x 3" h



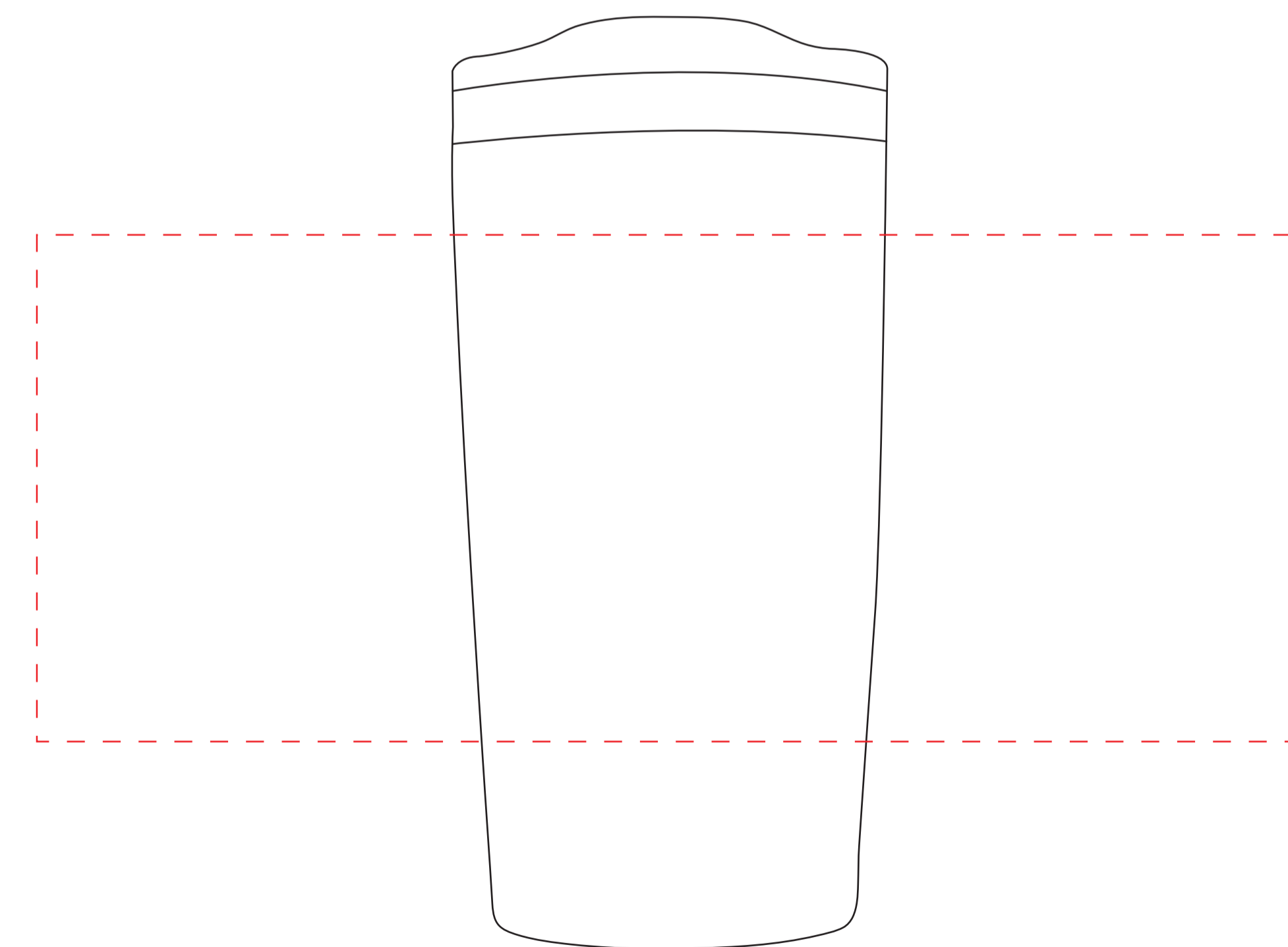
Laser Wrap
Imprint area: 5" w x 3" h



Laser & Full color (L size)
Imprint area: 2.75" w x 3" h



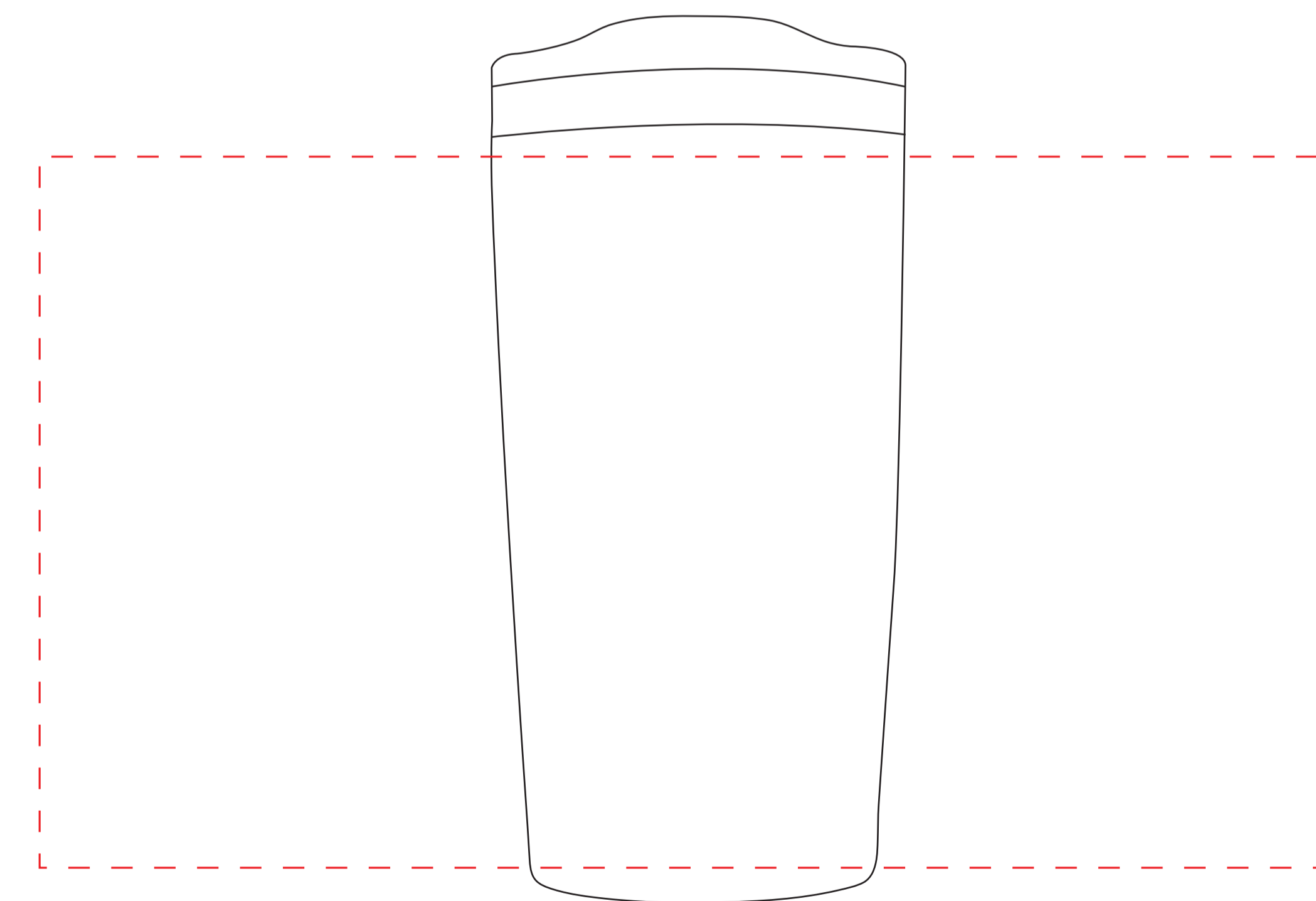
Full color Gap Wrap
Imprint area: 10" w x 4" h



Full color



Full color Seamless Wrap
Imprint area: 10.75" w x 5.9" h



Dashed line indicates imprint area and will not appear on your product.